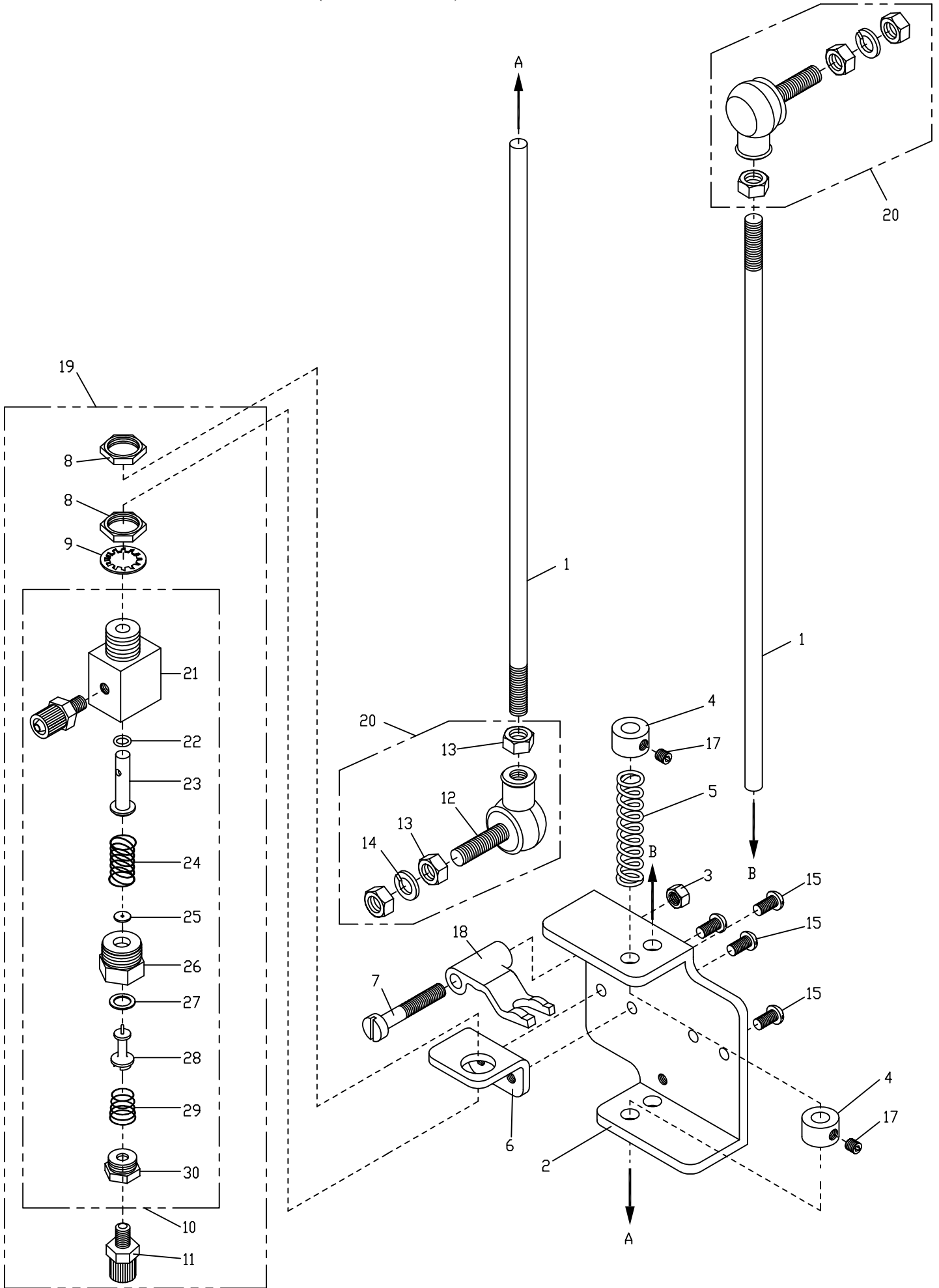


1.TA002 吊桿式切換開關組(吸布屑裝置)



1.TA002 吊桿式切換開關組(吸布屑裝置)

| 序號 Ref.No. | 圖號 Parts No. | 名稱 Description | 單位用量 Amt.Req. |
|---------------|-----------------|--|------------------|
| 1 | 4TA0030101 | 連桿 Connecting Rod ----- | 2 |
| 2 | 4TA0030102 | 支架 Bracket ----- | 1 |
| 3 | 8MA05320408A | 螺帽 Nut (CT1028 M5-0.8*4) ----- | 1 |
| 4 | 4TA0030104 | 定位環 Collar ----- | 2 |
| 5 | 4TA0030105 | 彈簧 Spring ----- | 1 |
| 6 | 4TA0030106 | 固定座 Base ----- | 1 |
| 7 | 8MB05323009B | 螺絲 Screw (CT1024 M5-0.8*30) ----- | 1 |
| 8 | 4TA0030108 | 螺帽 Nut ----- | 2 |
| 9 | 4TA0030109 | 齒形墊圈 Teeth Washer ----- | 1 |
| 10 | 4TA003A0110 | 換向閥組 Electromagnetic Valve Asm.----- | 1 |
| 11 | 4WPC000103 | 空氣管接頭 Elbow Conneccor ----- | 2 |
| 12 | 4AL0120207 | 接頭 Ball Joint ----- | 2 |
| 13 | 8MA60100510A | 螺帽 Nut (CT0533 M6-1*5) ----- | 6 |
| 14 | 90SW060 | 彈簧墊圈 Spring Washer ----- | 2 |
| 15 | 8MB04280807K | 螺絲 Screw (CT0215 M4-0.7*8) ----- | 4 |
| 16 | ----- | ----- | - |
| 17 | 8MN04280400A | 螺絲 Screw (CT0229 M4-0.7*4) ----- | 2 |
| 18 | 4TA0020118 | 定位塊 Block ----- | 1 |
| 19 | 4TA003A0119 | 換向閥組 Electromagnetic Valve C.Set ----- | 1 |
| 20 | 4TA003A0120 | 接頭組 Ball Joint C.Set ----- | 2 |
| 21 | 4TA0030121 | 本體 Base ----- | 1 |
| 22 | 90OR050 | O型環 P5 O-ring ----- | 1 |
| 23 | 4TA0030123 | 軸 Shaft ----- | 1 |
| 24 | 4TA0030124 | 彈簧 Spring ----- | 1 |
| 25 | 4TA0030125 | 防漏墊片 Washer----- | 1 |
| 26 | 4TA0030126 | 螺帽 Nut ----- | 1 |
| 27 | 4TA0030127 | 防漏墊片 Washer----- | 1 |
| 28 | 4TA0030128 | 軸 Shaft ----- | 1 |
| 29 | 4TA0030129 | 彈簧 Spring ----- | 1 |
| 30 | 4TA0030130 | 螺帽 Nut ----- | 1 |